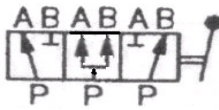


# RAZVODNICI RUČNI VISOKOTLAČNI

RADNI TLAK

VRSTA

SIMBOL



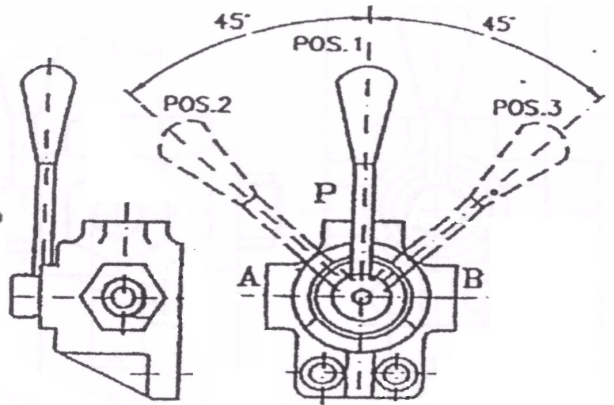
**Klipni 3/3**

- 300 bara VRV R3/3-O - U R1/4"
- 350 bara VRV R3/3-O - U R3/8"
- 350 bara VRV R3/3-O - U R1/2"
- 350 bara VRV R3/3-O - U R3/4"
- 300 bara VRV R3/3-O - U R1"
- 200 bara VRV R3/3-O - U R1.1/2"



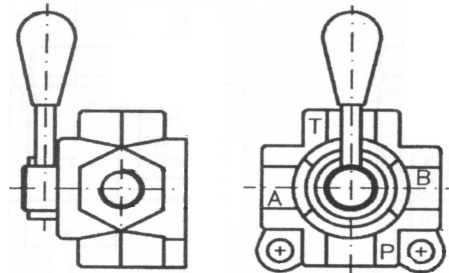
**Klipni 3/3**

- 300 bara VRV R3/3-Z - U R1/4"
- 350 bara VRV R3/3-Z - U R3/8"
- 350 bara VRV R3/3-Z - U R1/2"
- 350 bara VRV R3/3-Z - U R3/4"
- 300 bara VRV R3/3-Z - U R1"
- 200 bara VRV R3/3-Z - U R1.1/2"



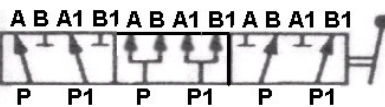
**Klipni 4/3**

- 350 bara VRV R4/3-Z - U R1/4"
- 350 bara VRV R4/3-Z - U R3/8"
- 350 bara VRV R4/3-Z - U R1/2"
- 350 bara VRV R4/3-Z - U R3/4"
- 300 bara VRV R4/3-Z - U R1"



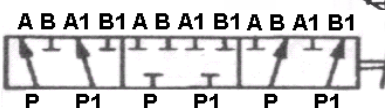
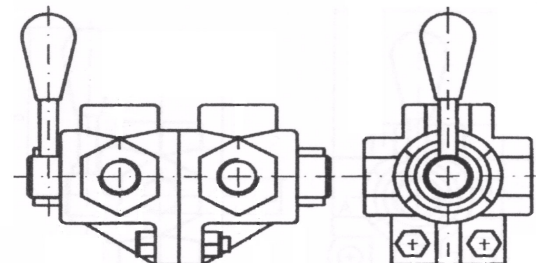
**Klipni 4/3**

- 350 bara VRV R4/3-P - U R1/4"
- 350 bara VRV R4/3-P - U R3/8"
- 350 bara VRV R4/3-P - U R1/2"
- 350 bara VRV R4/3-P - U R3/4"
- 300 bara VRV R4/3-P - U R1"



**Klipni 6/3**

- 300 bara VRV R6/3-O - U R1/4"
- 350 bara VRV R6/3-O - U R3/8"
- 350 bara VRV R6/3-O - U R1/2"
- 350 bara VRV R6/3-O - U R3/4"
- 300 bara VRV R6/3-O - U R1"



**Klipni 6/3**

- 300 bara VRV R6/3-Z - U R1/4"
- 350 bara VRV R6/3-Z - U R3/8"
- 350 bara VRV R6/3-Z - U R1/2"
- 350 bara VRV R6/3-Z - U R3/4"
- 300 bara VRV R6/3-Z - U R1"

- Napomene:** - Način rada troputnih razvodnika VRV R3/3-O odgovara troputnim slavinama VRV K3/3-O.
- Podatke o dimenzijama i protocima pojedinih razvodnika moguće je dobiti na upit.